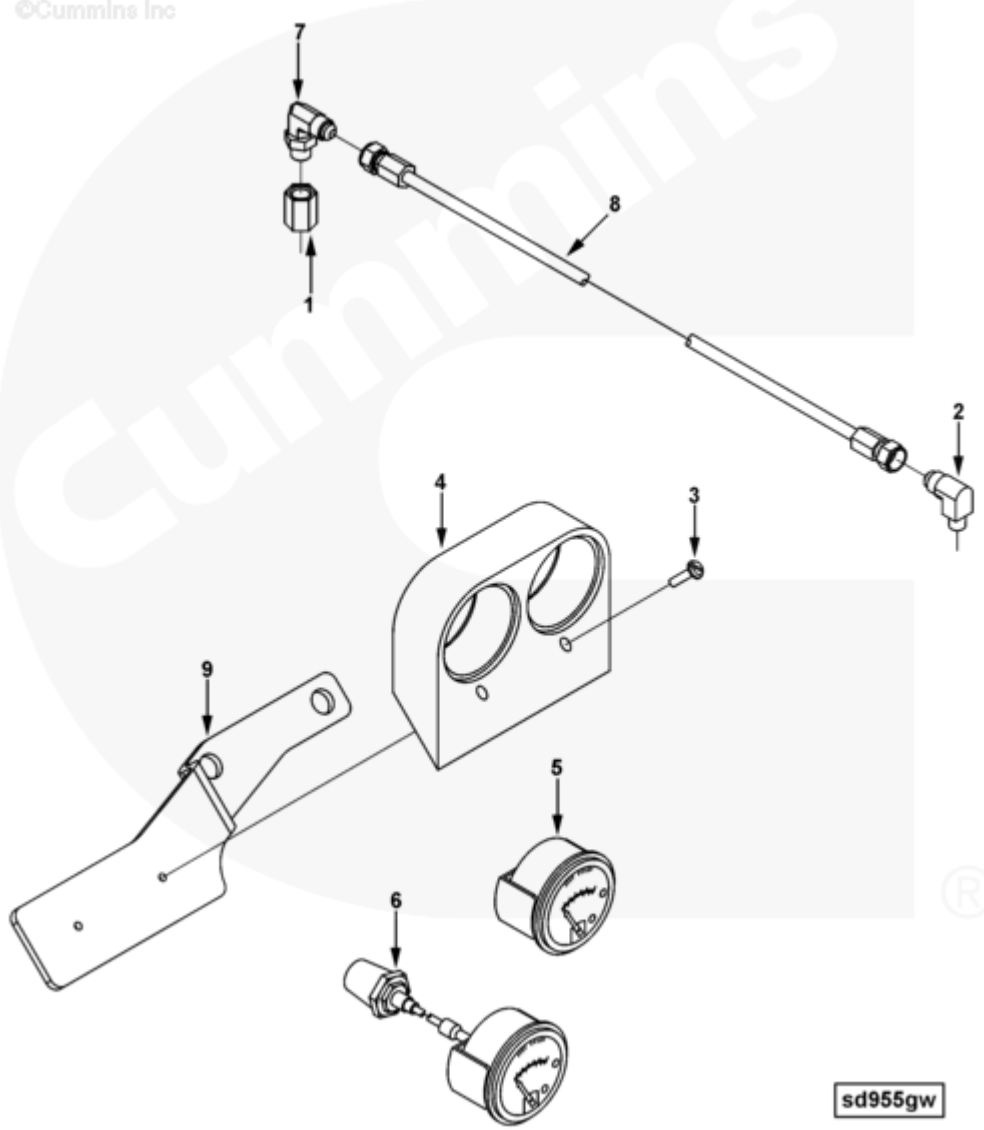




Parts Catalog - Option Detail

Electronic Parts Catalog - Option Detail				
Option	Group	Graphic	Film Card	Date
SD9192	05.06	sd955gw	Z	24-AUG-06
Engines	6C8.3, C GAS PLUS CM556, G8.3, G8.3 CM558, GTA8.3 CM558, ISC CM2150, ISC CM554, ISC CM850, ISC8.3 CM2250, ISC8.3 G CM2180 C101, ISL CM2150, ISL CM554, ISL CM850, ISL G CM2180, ISL8.9 CM2150 L110, ISL8.9 CM2880 L112, ISL9 CM2150 SN, ISL9 CM2250, ISL9 CM2350 L101, ISL9 CM2350 L111, ISLE4 CM850, L GAS PLUS CM556, L8.9, L8.9 L121, L8.9G CMOH2.0 L125B, L9 CM2350 L116B, L9 CM2350 L119B, L9 CM2350 L120C, L9 CM2350 L123B, L9.3 L105, L9.5 L117, L9N CM2380 L124B, QSC8.3 CM2250, QSC8.3 CM2880 C102, QSC8.3 CM554, QSC8.3 CM850(CM2850), QSL9 CM2250, QSL9 CM2250 L115, QSL9 CM2350 L102, QSL9 CM2350 L107, QSL9 CM2350 L118, QSL9 CM2350 L122, QSL9 CM554, QSL9 CM850(CM2850), QSL9 G CM558, QSL9 M CM2250 L106, QSL9.3 CM2880 L113			



sd955gw

[SMALL](#) | [MEDIUM](#) | [LARGE](#)

Cart	Ref No	Part Number	Part Description	Required	Remarks
------	--------	-------------	------------------	----------	---------

[View My Cart](#)

		SD9192	Engine Instrument		MR - INSTRUMENT, ENGINE...(More)
					Engine Family: C Series
					Gauge Type: Mechanical
					Mount Type: Rubber Panel
					Location: Exhaust Side
					Oil Pressure Range: 0-100
					PSI
					Temperature Range: 130-250
					Degrees F
<input type="checkbox"/>	1	S 1059	Plain Pipe Coupling	1	
<input type="checkbox"/>	2	68139	Male Adapter Elbow	1	1/8 NPTF X 7/16 - 20 (90).
<input type="checkbox"/>	3	132048	Pan Head Cap Screw	2	#10 - 32 x 5/8 in.
<input type="checkbox"/>	4	3925628	Instrument Panel	1	
<input type="checkbox"/>	5	3925629	Pressure Gauge	1	
<input type="checkbox"/>	6	3925630	Temperature Gauge	1	
<input type="checkbox"/>	7	3945212	Plain Union Elbow	1	M10 X 1.00 X 7/16 - 20.
<input type="checkbox"/>	8	3972725	Flexible Hose	1	
<input type="checkbox"/>	9	4943186	Instrument Panel Bracket	1	